



10Gbps CWDM SFP+ Duplex 40km HOLS-PPCxx4077-LD-xE

FEATURES

- Supports 9.95Gb/s to 10.7Gb/s bit rates
- 0 to 70°C operating case temperature
- SFP+ package with duplex LC receptacle connector
- Hot-pluggable capability
- Single 3.3V power supply
- CWDM EML transmitter and high performance PIN-TIA receiver
- Up to 16dB Power Budget
- Built-in CDR
- Low power dissipation
- SFI electrical interface
- Low EMI and excellent ESD protection
- Built- in Digital Diagnostic Monitoring (DDM) function
- Class I laser safety standard IEC-60825 compliant
- RoHS-6 compliance

APPLICATIONS

- CWDM Network
- 10GBASE-ER/EW
- CPRI

STANDARDS

- Complies with SFP+ MSA
- Complies with SFF 8472
- Complies with IEEE802.3ae
- Complies with FCC 47 CFR Part 15, Class B
- Complies with 21 CFR 1040.10 and 1040.11 except for deviations pursuant to Laser Notice No. 50, dated June 24, 2007



10Gbps CWDM SFP+ Duplex 40km HOLS-PPCxx4077-LD-xE

ABSOLUTE MAXIMUM RATING

Parameter	Symbol	Min.	Max.	Unit	Notes
Storage Ambient Temperature	T _{STG}	-40	85	°C	
Operating Case Temperature	T _c	0	70	°C	
Operating Humidity	OH	5	95	%	
Power Supply Voltage	V _{CC}	0	3.6	V	

RECOMMENDED OPERATING CONDITION

Parameter	Symbol	Min.	Typ.	Max.	Unit	Notes
Operating Case Temperature	T _c	0		70	°C	
Power Supply Voltage	V _{CC}	3.13	3.3	3.47	V	
Current	I _{CC}			500	mA	
Date Rate		9.95		10.3	Gbps	

TRANSMITTER OPTICAL CHARACTERISTICS

Parameter	Symbol	Min.	Typ.	Max.	Unit	Notes
Centre Wavelength	λ_c	$\lambda-6.5$	λ	$\lambda+6.5$	nm	
Spectral Width (-20dB)	$\Delta\lambda$			0.5	nm	
Side Mode Suppression Ratio	SMSR	35			dB	
Average Output Power	P _o	-3		2	dBm	
Extinction Ratio	ER	3			dB	
TxDisabled Average Output Power				-40	dBm	
Transmitter and Dispersion Penalty	TDP			3	dB	40km SMF

TRANSMITTER ELECTRICAL CHARACTERISTICS

Parameter	Symbol	Min.	Typ.	Max.	Unit	Notes
Input Differential Impedance	Z _{IN}	90	100	110	Ω	
Data Input Swing Differential	V _{IN}	180		700	mV	CML input, AC coupled
TX Disable	Disable	2		V _{CC} +0.3	V	
	Enable	-0.3		0.8	V	

TX Fault	Fault	2.4		VCC _{HOST}	V	
	Normal	-0.3		0.4	V	

RECEIVER OPTICAL CHARACTERISTICS

Parameter	Symbol	Min.	Typ.	Max.	Unit	Notes
Operating Wavelength	λ_c	1270		1620	nm	
Sensitivity	SEN			-15.8	dBm	Measured with PRBS 2 ³¹ -1 @ . 10.3125Gpbs, ER=5dB, BER≤10 ⁻¹²
Saturation Optical Power	SAT	0			dBm	
Loss of Signal De-Assert Level	LOSD			-18	dBm	
Loss of Signal Assert Level	LOSA	-30			dBm	
Signal-Detected Hysteresis		0.5		5	dB	

RECEIVER ELECTRICAL CHARACTERISTICS

Parameter	Symbol	Min.	Typ.	Max.	Unit	Notes
Data Output Differential Swing	V _{out}	340		850	mV	CML output, AC coupled
Output Differential Impedance	Z _{out}	90	100	110	Ω	
Rx_LOS Output Voltage - High	High	2.4		VCC _{HOST}	V	
Rx_LOS Output Voltage - Low	Low	-0.3		0.4	V	

PIN DESCRIPTION			
PIN	Name	Description	Notes
1	V _{EE} T	Transmitter Ground	
2	TX_Fault	Transmitter Fault Indication	Low: normal; High: abnormal
3	TX_Disable	Transmitter Disable	Low: transmitter on; High: transmitter off
4	SDA	SDA	The data line of two wire serial interface
5	SCL	SCL	The clock line of two wire serial interface
6	MOD_ABS	Module Absent	Connected to V _{EE} T or V _{EE} R in the module
7	RS0	Not Connected	
8	RX_LOS	Loss of Signal	Low: signal detected; High: loss of signal
9	RS1	Not Connected	
10	V _{EE} R	Receiver Ground	
11	V _{EE} R	Receiver Ground	
12	RD-	Inv. Received Data Out	AC-coupled, CML
13	RD+	Received Data Out	AC-coupled, CML
14	V _{EE} R	Receiver Ground	
15	V _{CC} R	Receiver Power	
16	V _{CC} T	Transmitter Power	
17	V _{EE} T	Transmitter Ground	
18	TD+	Transmit Data In	AC-coupled, CML
19	TD-	Inv. Transmit Data In	AC-coupled, CML
20	V _{EE} T	Transmitter Ground	

PIN OUT DRAWING

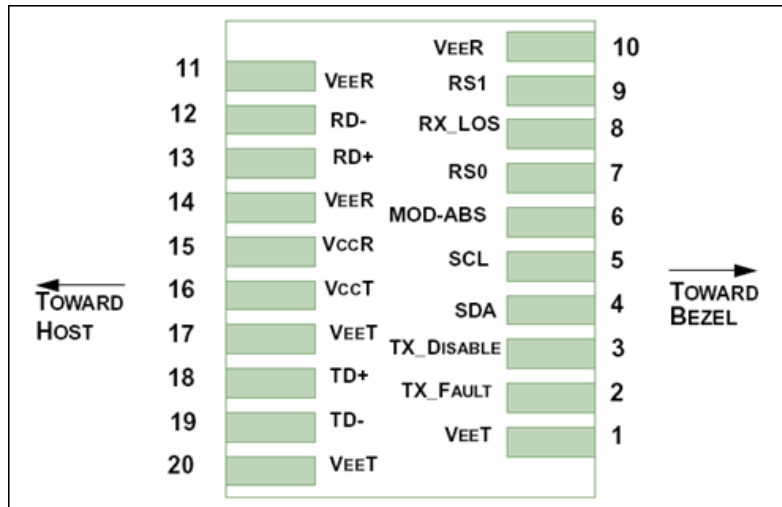


Figure 1 Host PCB SFP+ Pinout Top View

TYPICAL INTERFACE CIRCUIT

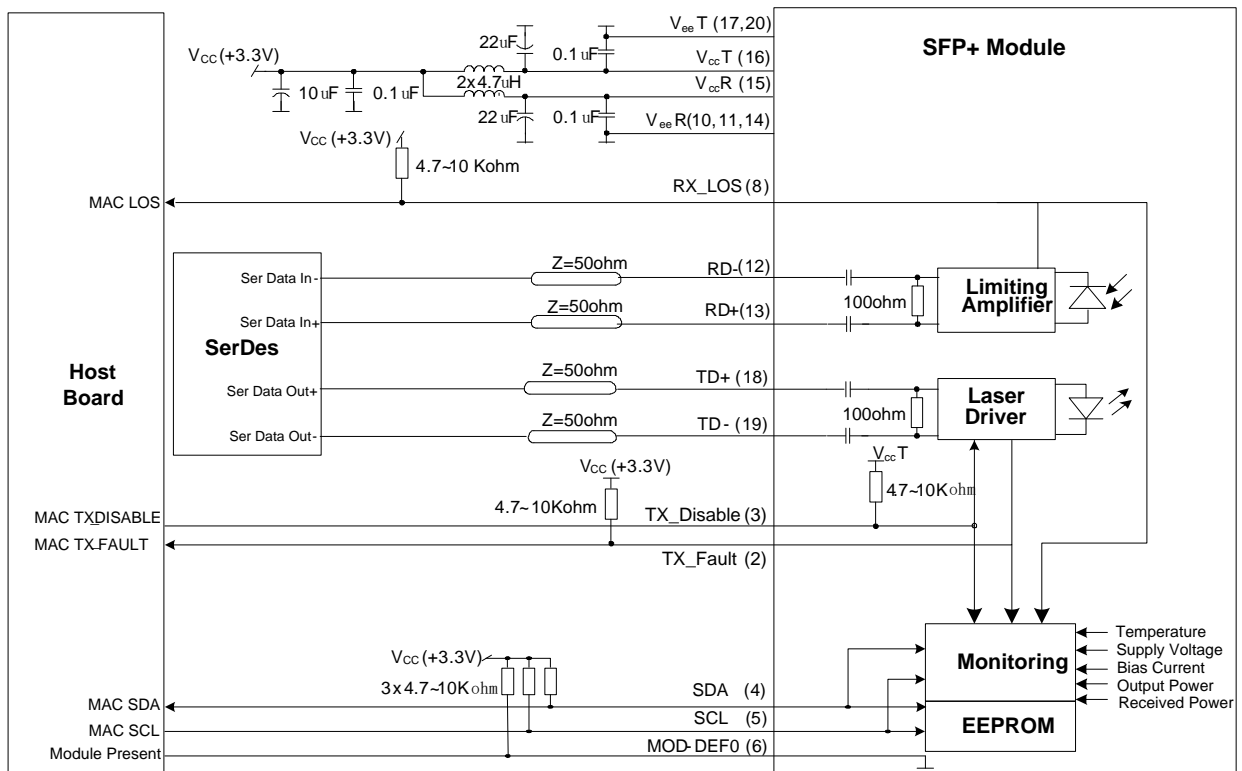


Figure 2 Typical Interface Circuit

PACKAGE OUTLINE

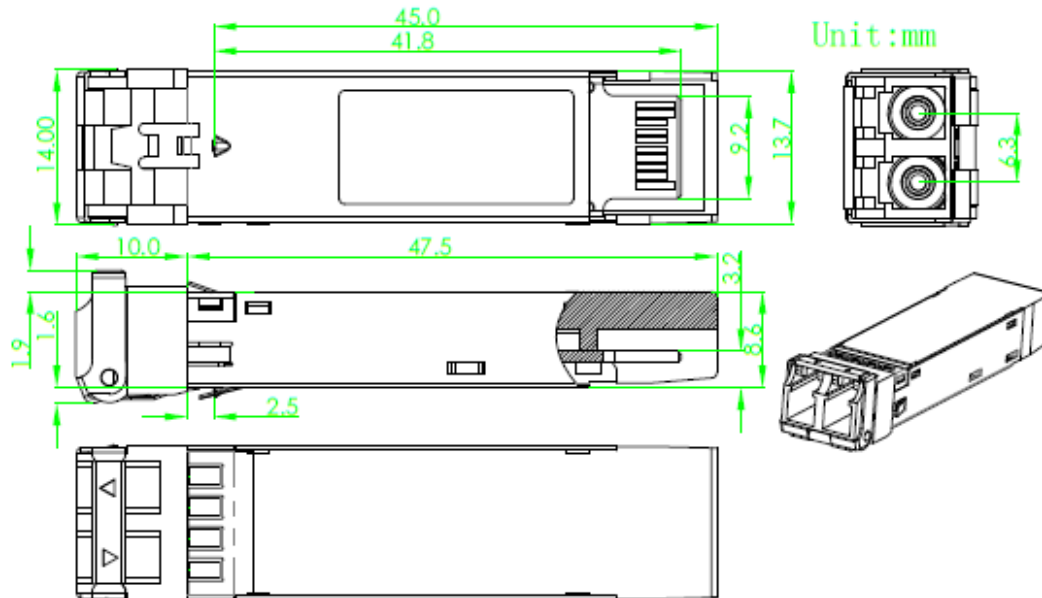


Figure 3 Package Outline

EEPROM INFORMATION

2 wire address 1010000X (A0h)		2 wire address 1010001X (A2h)	
0	Serial ID Defined by SFP MSA (96 bytes)	0	Alarm and Warning Thresholds (56 bytes)
95		55	Cal Constants (40 bytes)
	Vendor Specific (32 bytes)	95	Real Time Diagnostic Interface (24 bytes)
127		119	Vendor Specific (8 bytes)
	Reserved, SFF8079 (128 bytes)	127	User Writable EEPROM (120 bytes)
255		247	
		255	Vendor Specific (8 bytes)

Figure 4 EEPROM Memory Map Specific Data Field Descriptions



10Gbps CWDM SFP+ Duplex 40km HOLS-PPCxx4077-LD-xE

DIGITAL DIAGNOSTIC MONITORING INTERFACE

Parameter	Range	Accuracy	Calibration	NOTES
Temperature	-5 to 75°C	±5°C	Internal	LSB: 1/256°C
Voltage	2.97 to 3.63V	±3%	Internal	LSB: 0.1mV
Bias Current	0 to 128mA	±10%	Internal	LSB: 2uA
TX Power	-4 to +3dBm	±3dB	Internal	LSB: 0.1uW
RX Power	-17 to +1dBm	±3dB	Internal	LSB: 0.1uW

ORDERING INFORMATION

Part No.	Tx/Rx	Data Rate	Operating Temp	Distance
HOLS-PPCxx4077-LD-CE	EML/APD	10.3125G	0 to +70°C	40km
HOLS-PPCxx4077-LD-IE	EML/APD	10.3125G	-40 to +85°C	40km

Note:

XX is CWDM wavelength code as in the table below:

Center Wavelength(nm)	Code	Center Wavelength(nm)	Code
1271	27	1471	47
1291	29	1491	49
1311	31	1511	51
1331	33	1531	53
1351	35	1551	55
1371	37	1571	57
1391	39	1591	59
1411	41	1611	61

WARNINGS

- Handling Precautions: This device is susceptible to damage as a result of electrostatic discharge (ESD). A static free environment is highly recommended. Follow guidelines according to proper ESD procedures.
- Laser Safety: Radiation emitted by laser devices can be dangerous to human eyes. Avoid eye exposure to direct or indirect radiation.